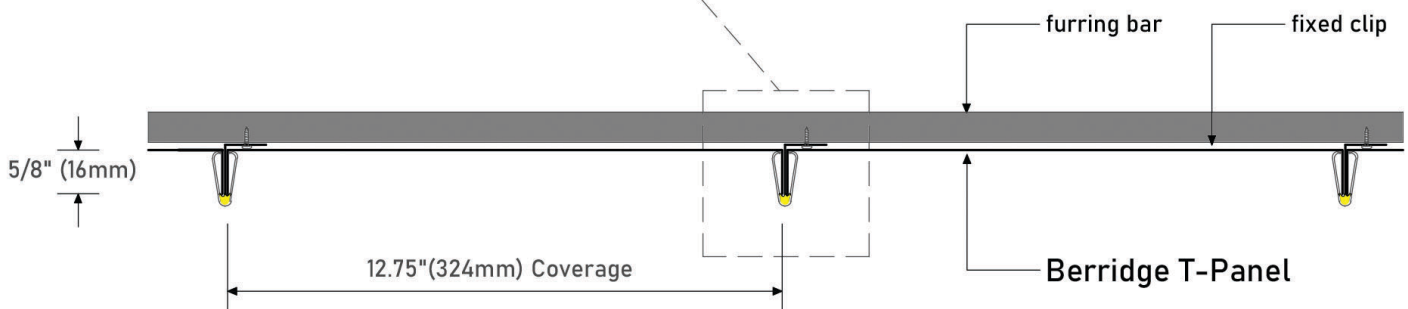
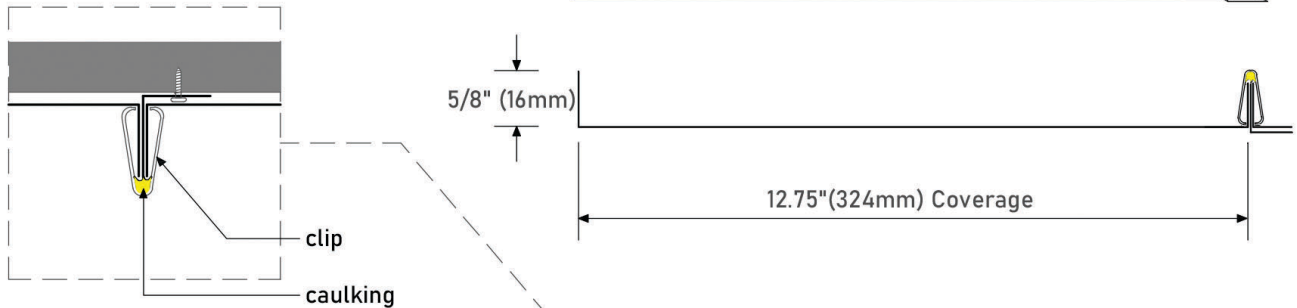
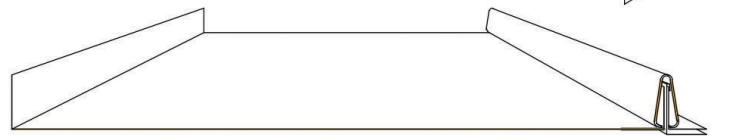
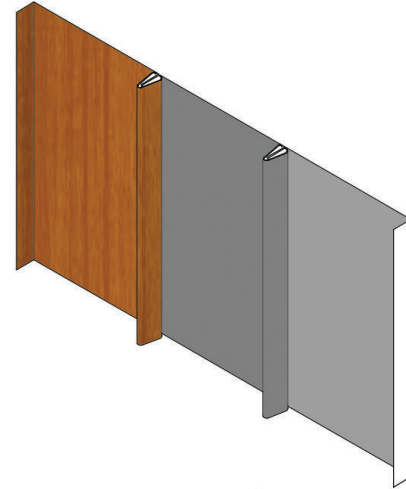


R13 | BERRIDGE T-PANEL

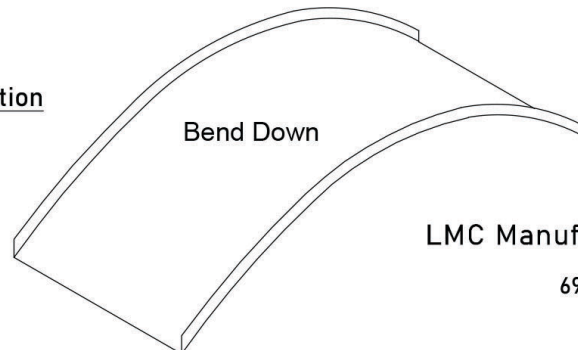
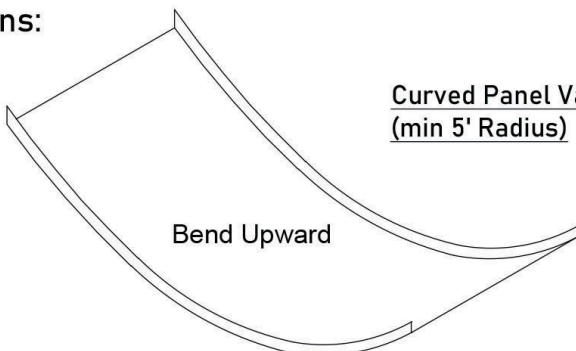
* Rollformed profiles
Roof, Wall Application

Berridge T-Panel is a patented concealed fasteners snap-on roof and wall panel. This panel also comes in a curved and tapered variation.

- > Standard Width of: 12.75" (324mm),
- > Custom Width on request by brakeformed up to 20' long.
- > Roll-formed to custom lengths in 24ga. & 22ga. steel.
- > Available in: Pre-Painted Steel (Woodgrain, SMP, PVDF)
(aluminum, copper, rheinzink please inquire.)
- > RCABC Listed



Options:



LMC Manufacturing Ltd.

6962 Buller Avenue
Burnaby, BC
V5J 4S3

Tel: 604.430.3233
Website: www.lammetal.ca