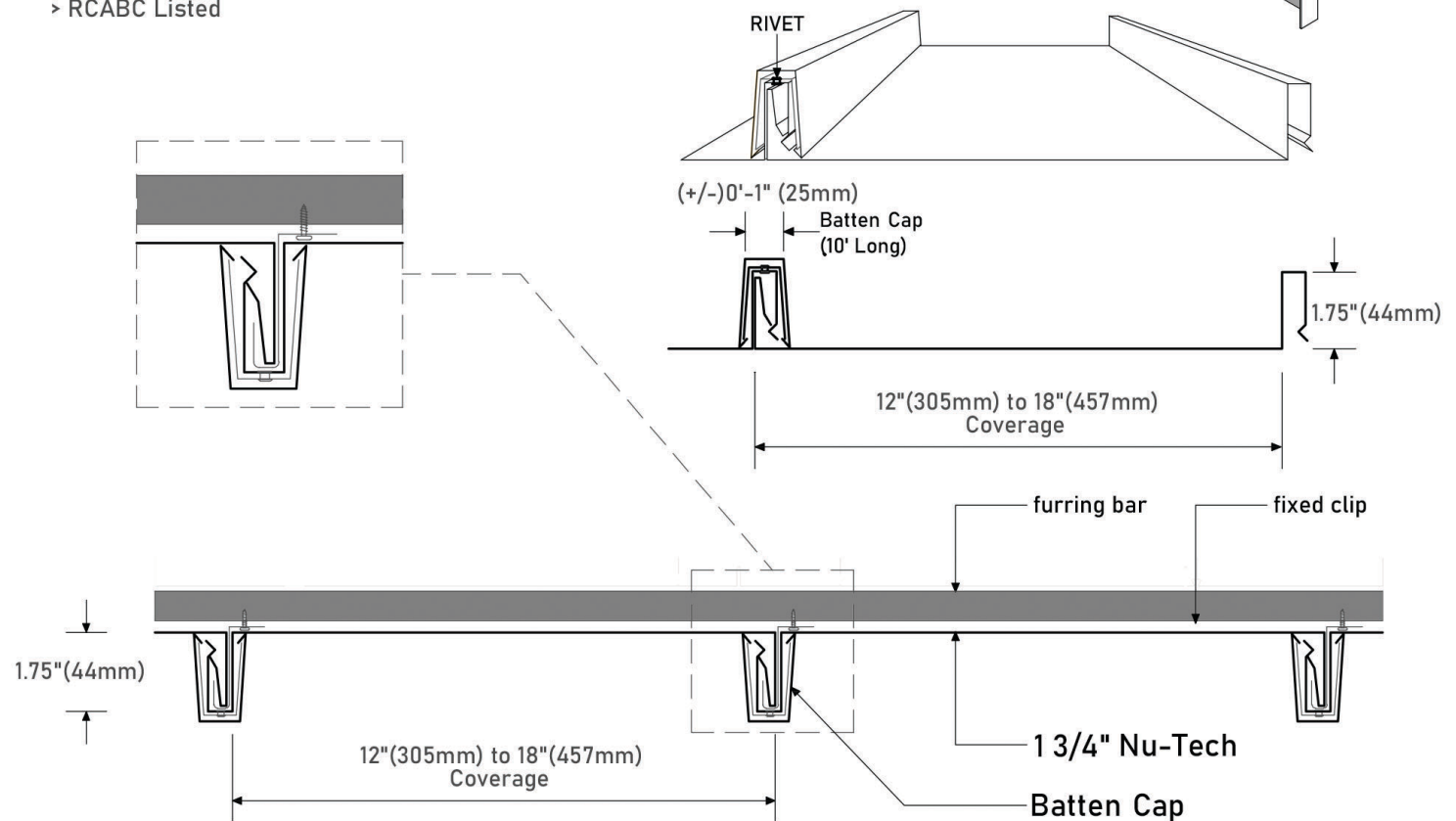
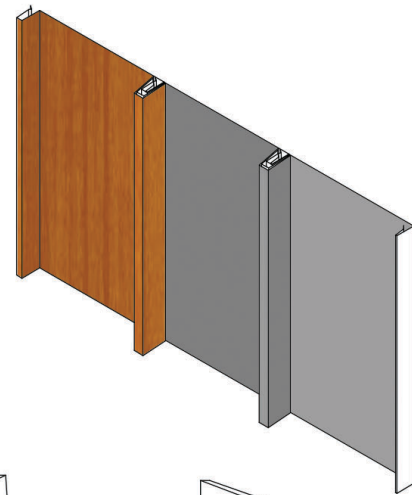


R12 | 1 3/4" BATTEN NU-TECH

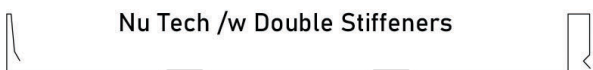
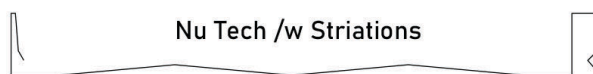
* Rollformed profiles
Roof, Wall Application

1 3/4" Batten Nu-Tech is concealed snap-on roof panel excellent for installation over solid substrates with vapour barrier (asphalt saturated felt or peel & stick) or over open purlins. It is the same as our 1 3/4" Nu-Tech, but w/ battens for a distinguish designer look.

- > Standard Width of: 12"(305mm) or 18"(457mm),
- > Custom Width of: 12"(305mm) to 18"(457mm),
- > Roll-formed to custom lengths in 24ga. & 22ga. steel.
- > Available in: Pre-Painted Steel (Woodgrain, SMP, PVDF)
(aluminum, copper, rheinzink please inquire.)
- > Optional double stiffener or striations for wide panels to reduce appearance of oil canning.
- > RCABC Listed



Options:



LMC Manufacturing Ltd.

6962 Buller Avenue
Burnaby, BC
V5J 4S3

Tel: 604.430.3233
Website: www.lammetal.ca