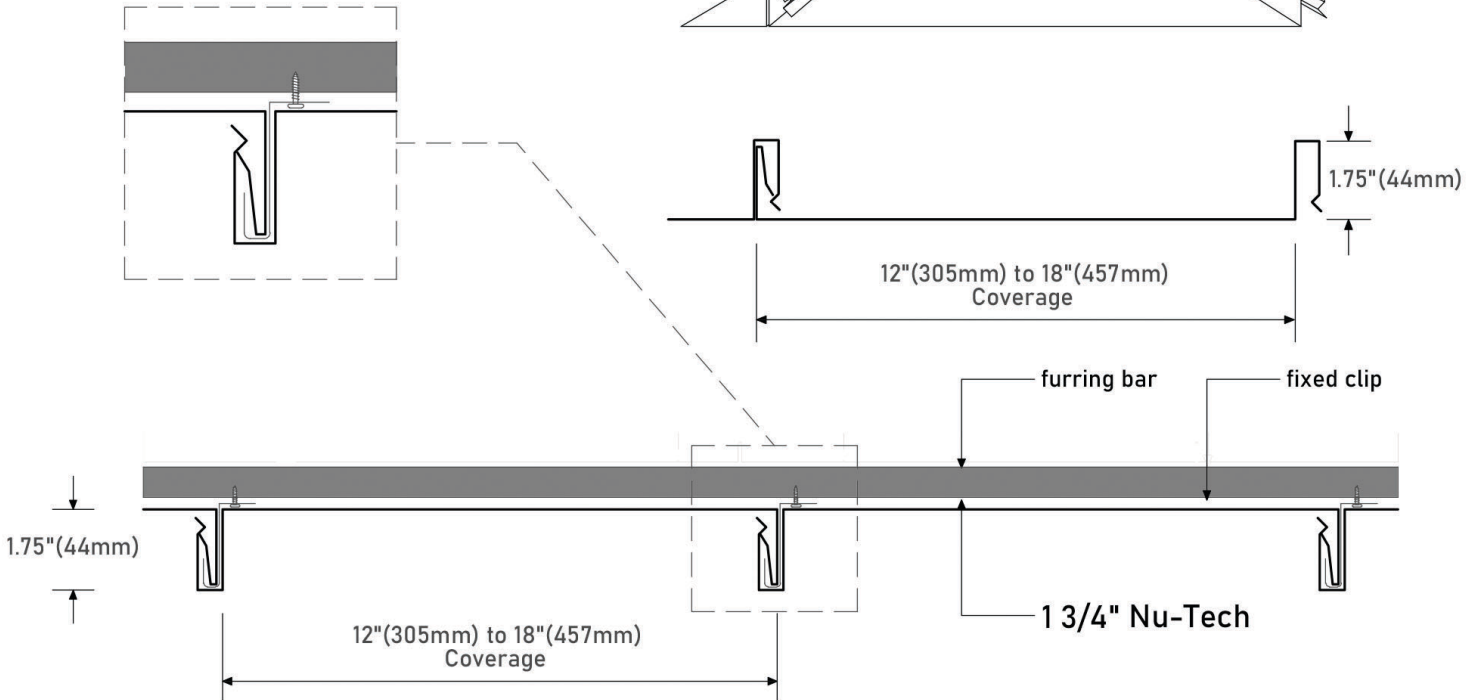
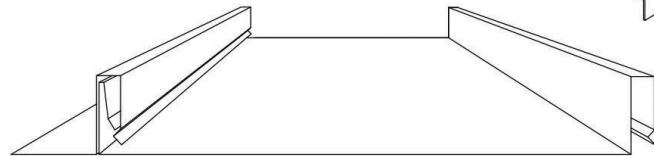
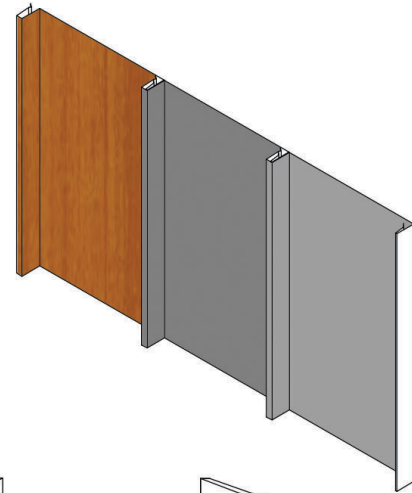


R11 | 1 3/4" NU-TECH

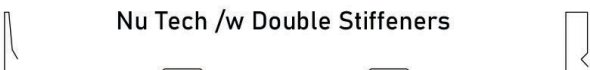
* Rollformed profiles
Roof, Wall Application

1-3/4" Nu-Tech is a concealed snap-on Wall and Roof panel. With the clip system, it provides a smooth face exterior without the requirement of seaming for easy installation.

- > Variable Width of: 12"(305mm) up to 18"(457mm),
- > Cost Efficient Widths: 12"(305mm), 18"(457mm),
- > Roll-formed to custom lengths in 26ga., 24ga. & 22ga. steel.
- > Available in: Pre-Painted Steel (Woodgrain, SMP, PVDF) (aluminum, copper, rheinzink please inquire.)
- > Stiffening Ribs or Striations available to reduce appearance of oil canning.
- > RCABC Listed



Options:



LMC Manufacturing Ltd.

6962 Buller Avenue
Burnaby, BC
V5J 4S3

Tel: 604.430.3233
Website: www.lammetal.ca