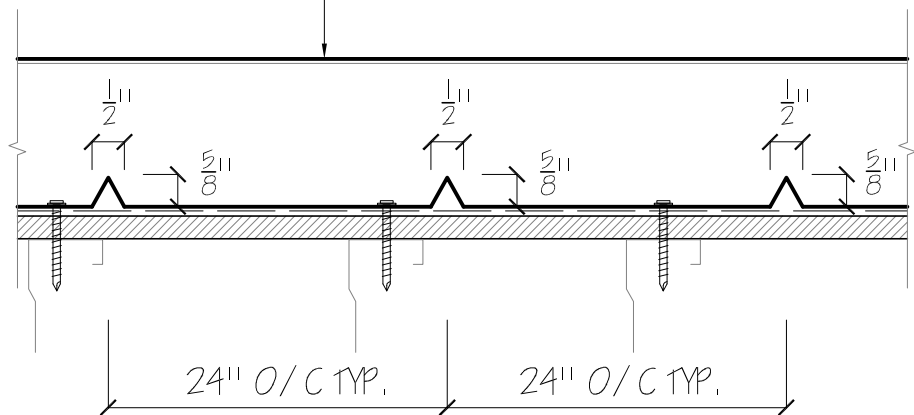
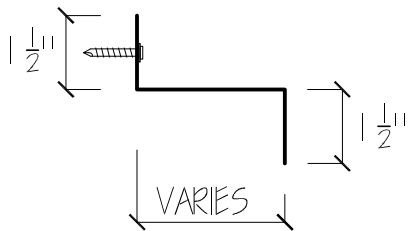


HORIZONTAL Z GIRT
 PEEL & STICK MEMBRANE
 GWB SHEATHING
 STEEL STUD FRAMING



NOTCHES @ 24" O/C TYP.

1 Z GIRT w/ NOTCHES DETAIL
 NTS

LAM METAL CONTRACTING LTD.			6962 Buller Avenue, Burnaby BC V5J 4S3 Phone: 604-430-3233 Fax: 604-430-2028	
PROJECT:			LOCATION:	
REVISION	DESCRIPTION	DATE	SCALE: NTS	DRAWING NO: ZGR-01
			DATE: 18-Jan-07	
			DRAWN BY: VT	
			All Dimensions To Be Verified On Site	