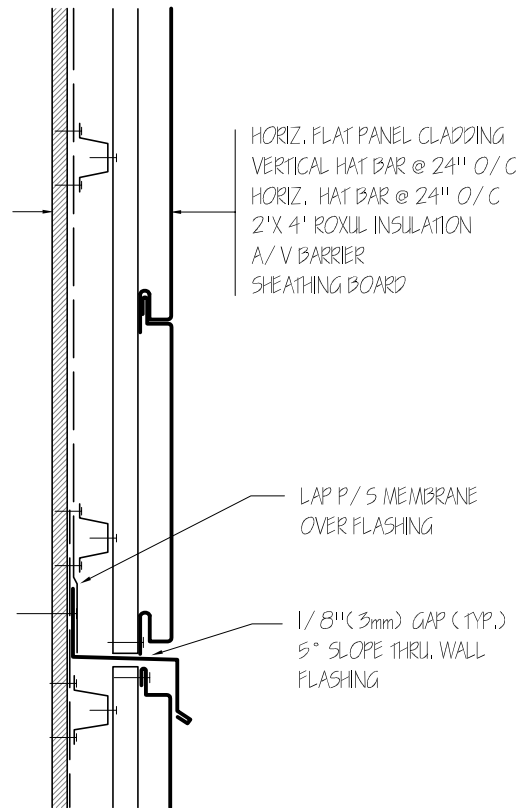
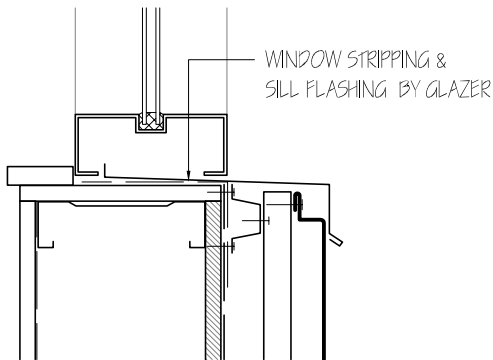
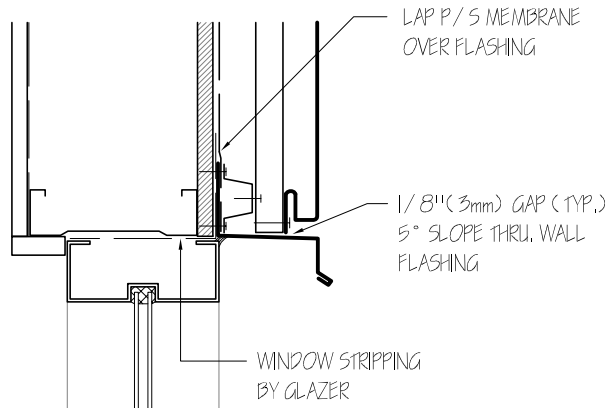
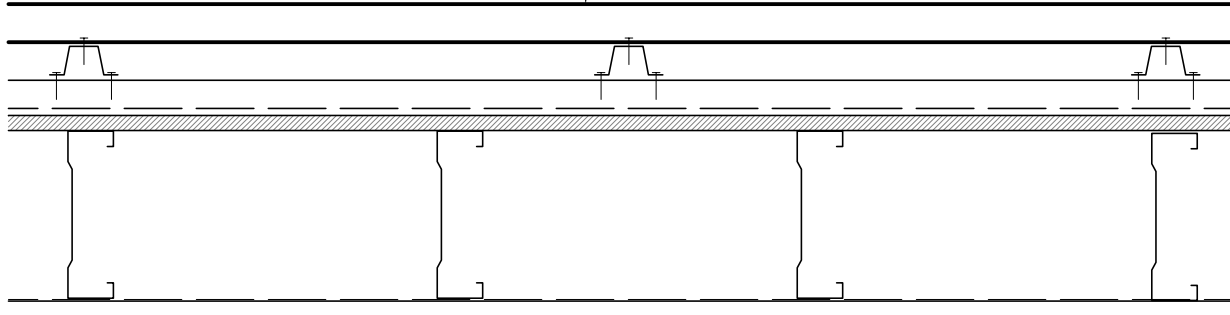


HORIZ. FLAT PANEL CLADDING
 VERTICAL HAT BAR @ 1200 (24") O/C
 HORIZ. HAT BAR @ 600 (24") O/C
 600 x 1200 (2'X4') ROXUL INSULATION
 A/V BARRIER
 SHEATHING BOARD



2 UNISULATED CLADDING SYSTEM
 NTS

LAM METAL CONTRACTING LTD.			6962 Buller Avenue, Burnaby BC V5J 4S3 Phone: 604-430-3233 Fax: 604-430-2028	
PROJECT:			LOCATION:	
REVISION	DESCRIPTION	DATE	SCALE: NTS	DRAWING NO: UCS-01
			DATE: 18-Jan-07	
			DRAWN BY: VT	
			All Dimensions To Be Verified On Site	