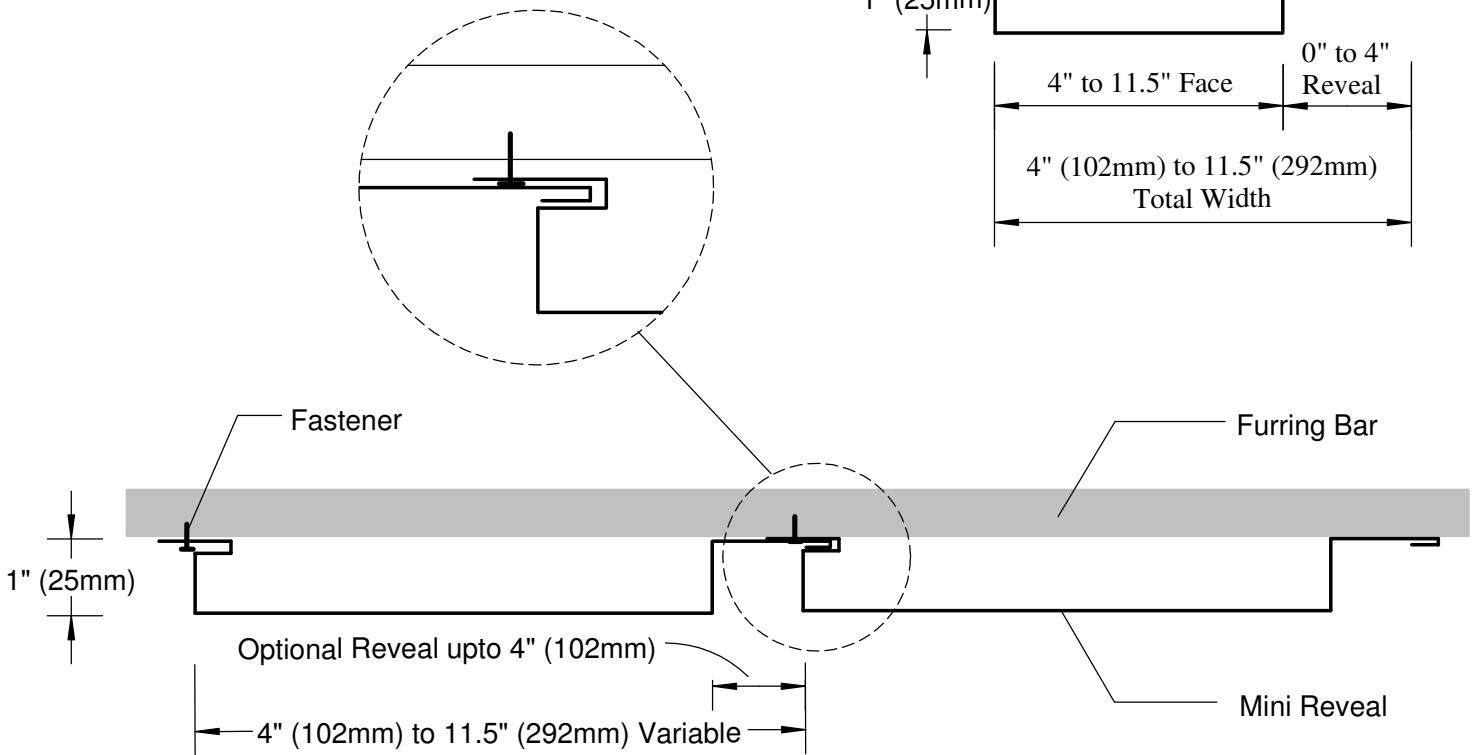
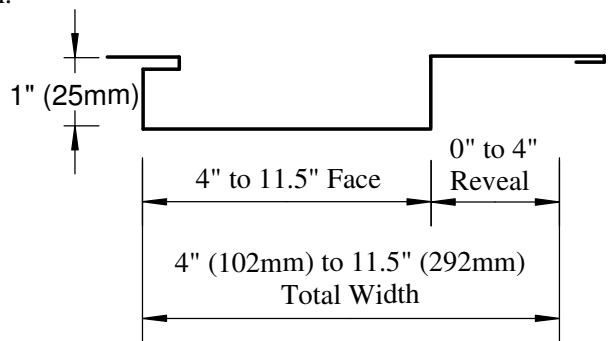
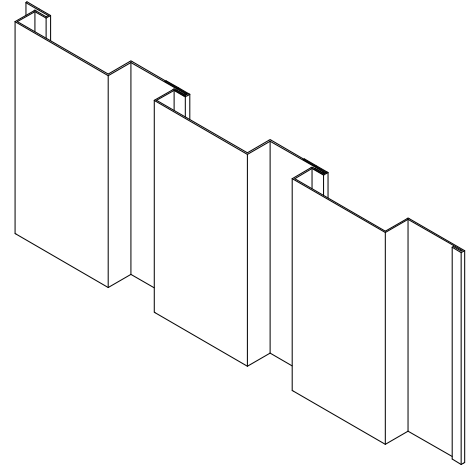


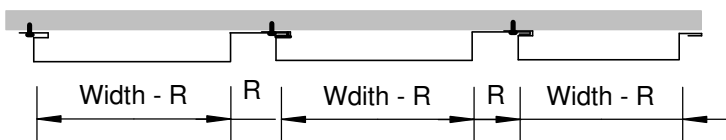
Lam's Mini Reveal is a small profile wall and soffit panel, most suitable for finer detailed jobs. With the face size as small as 4" (102mm) wide by 1" (25mm) deep, it is a perfect alternative to cedar siding - more colour selections with less maintenance.

- ▶ 4" (102mm) to 11.5" (292mm) Face, and 0" to 4" Reveal. Total width 4" (102mm) min to 11.5" (292mm) max.
- ▶ Roll formed to custom length in 24ga and 22ga steel.
- ▶ Available in Pre-painted Steel, Galvalume, Galvanized, Aluminum (.032"), Copper (16oz), and Rheinzink (.8mm)
- ▶ Recommended cost saving sizes 7.5" and 11.5" total width.



Options:

Mini Reveal 4" to 11.5" with 0" to 4" Reveal (Variable)



LMC Manufacturing Ltd

6962 Buller Ave, Burnaby, BC V5J 4S3
Tel: 604-430-3233 Fax: 604-430-2028

Website: www.lammetal.ca