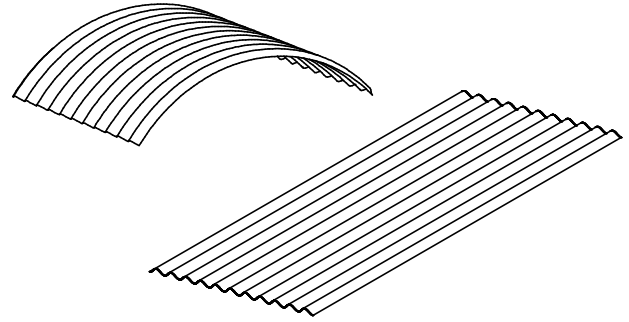


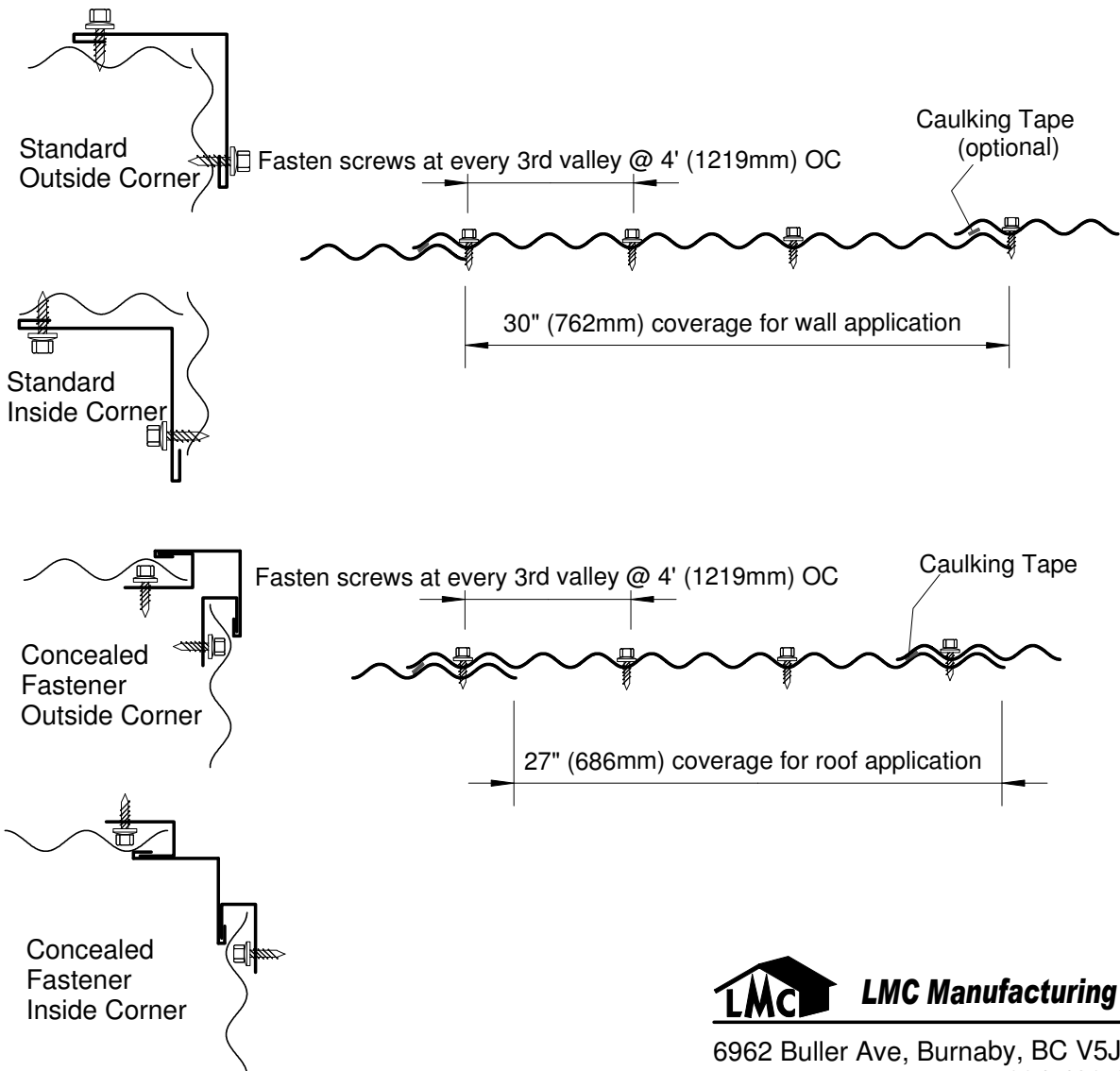
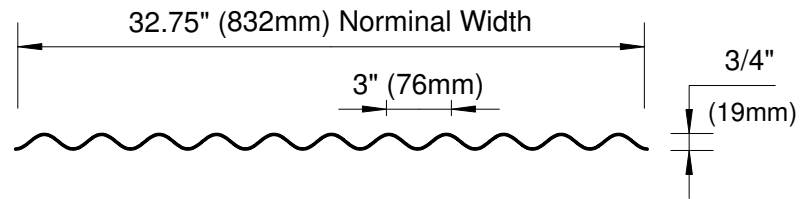
3/4" CORRUGATED / STRAIGHT / CURVED

• ROOF
• WALL
• SOFFIT

Lam's 3/4" Corrugated is the most economical roof and wall panel suitable for a wide variety of applications from warehouses to schools. The panel can also be curved down to 5' diameter for barrel roof.



- ▶ 32.75" (832mm) gross width, 30" (761mm) coverage for wall, and 27" (686mm) coverage for roof.
- ▶ Roll formed to custom length in 26ga and 24ga.
- ▶ Available in Pre-painted Steel, Galvalume, Galvanized, Aluminum, Copper, and Rheinzink.
- ▶ Suitable for exterior and interior finish.
- ▶ May also be used as soffit.



 **LMC Manufacturing Ltd**

6962 Buller Ave, Burnaby, BC V5J 4S3
Tel: 604-430-3233 Fax: 604-430-2028

Website: www.lammetal.ca

A7