

Berridge T-Panel / Straight / Curved / Tapered

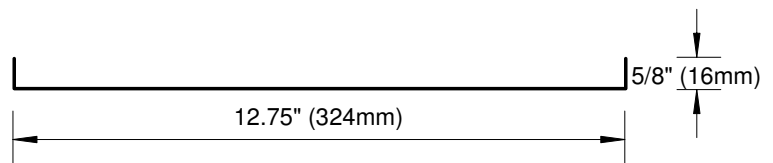
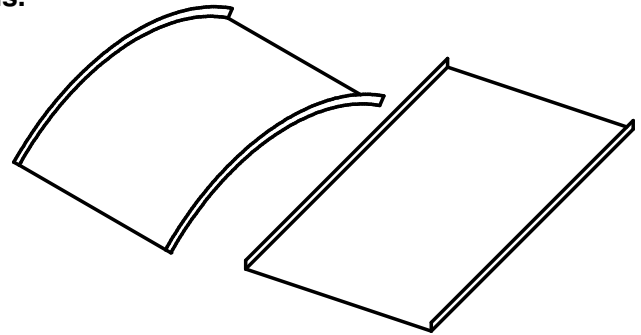
· ROOF
· WALL



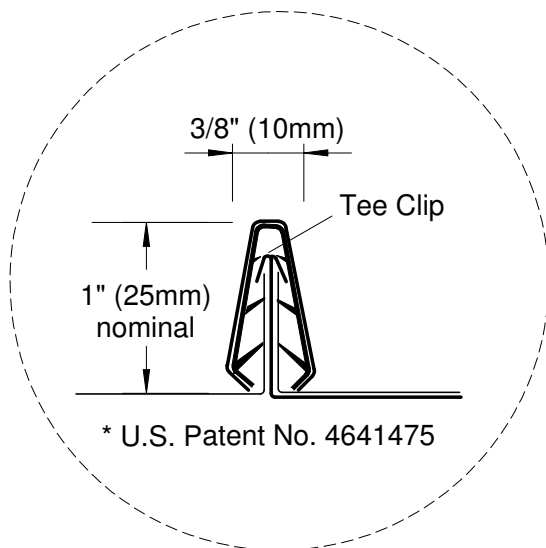
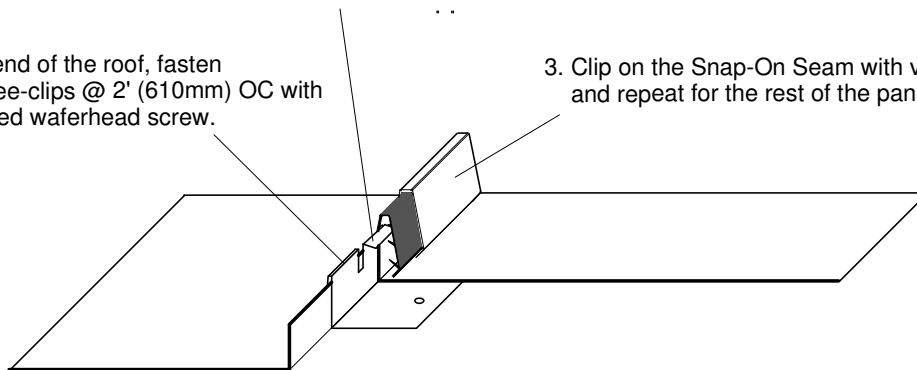
Berridge T-Panel is a patented concealed snap-on roof panel for installation over solid substrates with vapour barrier. This panel also come in curved and tapered variations.

Min 4' (1219mm) diameter

- ▶ Standard width of 12-3/4" (324mm) or custom width on request by break forming
- ▶ Roll formed to custom length in 26ga, 24ga and 22ga. Custom width break formed upto 20' long.
- ▶ Available in Pre-painted Steel, Galvalume, Galvanized, Aluminum, Copper, and Rheinzink.
- ▶ UL 90 & UL fire resistance and ASTM air & water tested.



1. Start from one end of the roof, fasten the panel with tee-clips @ 2' (610mm) OC with #8 x 1" cad plated waferhead screw.
2. Slide a second panel parallel to the first and fasten with the other half of the tee-clips.
3. Clip on the Snap-On Seam with vinyl weatherseal and repeat for the rest of the panels



LMC LMC Manufacturing Ltd

6962 Buller Ave, Burnaby, BC V5J 4S3
Tel: 604-430-3233 Fax: 604-430-2028

Website: www.lammetal.ca