

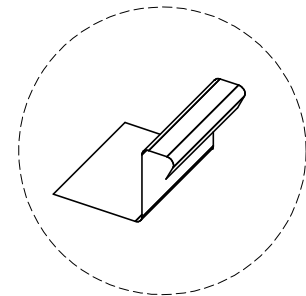
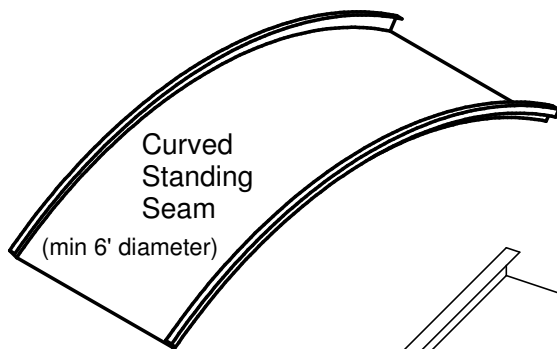
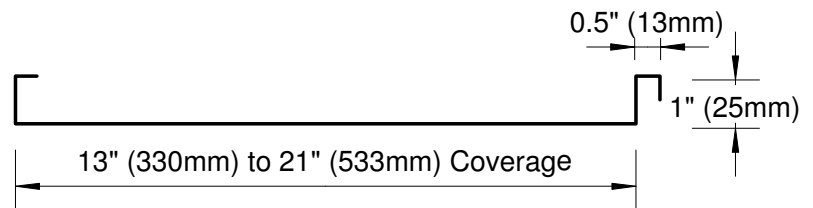
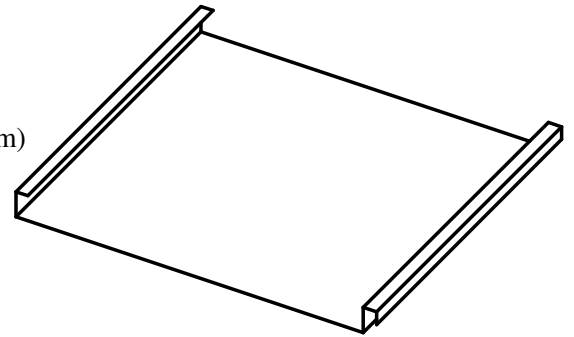
# 1" STANDING SEAM / CURVED / TAPERED

· ROOF  
· WALL

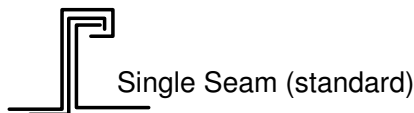
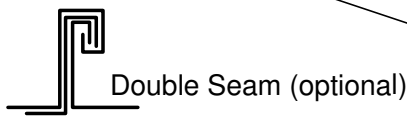
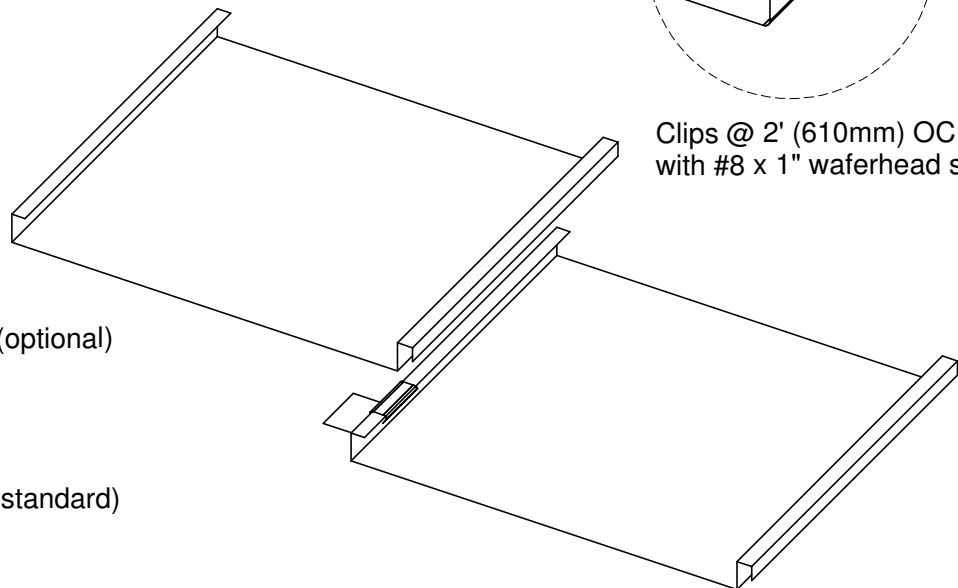


1" Standing Seam is a widely used concealed fastener roof panel for installation over solid substrates with vapour barrier. This panel also come in curved and tapered variations.

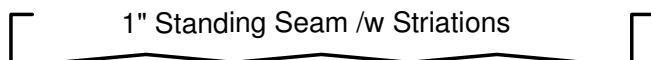
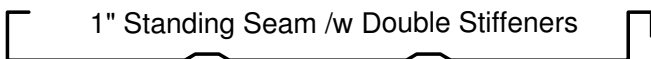
- ▶ Standard width of 13" (330mm), 15" (381mm) and 21" (533mm) or custom width from 13" (300mm) to 21" (533mm).
- ▶ Roll formed to custom length in 26ga, 24ga and 22ga. Tapered Standing Seam is break formed upto 20' long.
- ▶ Available in Pre-painted Steel, Galvalume, Galvanized, Aluminum, Copper, and Rheinzink.
- ▶ Optional Double Stiffener or Striations for wide panels to reduce the appearance of oil canning.



Clips @ 2' (610mm) OC fastened with #8 x 1" waferhead screw



## Options:



**LMC Manufacturing Ltd**

6962 Buller Ave, Burnaby, BC V5J 4S3  
Tel: 604-430-3233 Fax: 604-430-2028

Website: [www.lammetal.ca](http://www.lammetal.ca)