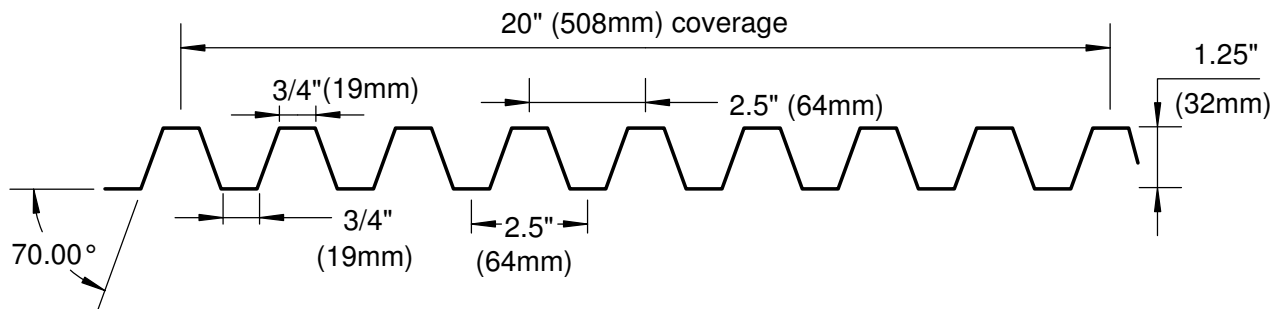
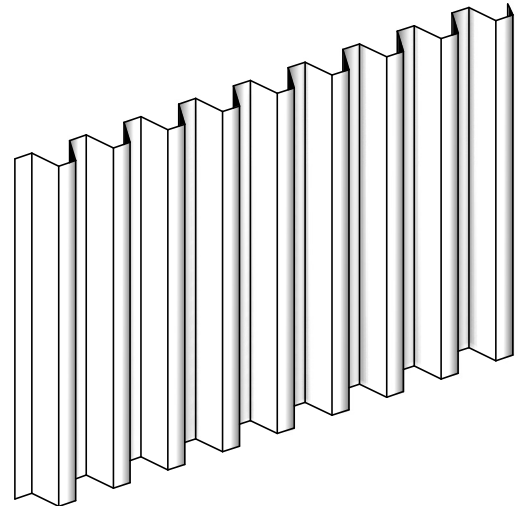


# 32mm SPECTRUM LINEAR CLAD

· ROOF · WALL · SOFFIT

LMC's Spectrum Linear Clad is an elegant and versatile panel suitable for roof, wall, and soffit applications. It may be installed vertically or horizontally for wall.

- ▶ Comes in 20" (506mm) standard width.
- ▶ Wide selection of pre-painted steel in 26ga and 24ga
- ▶ Also available in galvalume, aluminum, copper and Rheinzink.
- ▶ Suitable for exterior and interior finish
- ▶ Looks like a louvre when applied horizontally.



Typical Screw Pattern



TO SEE ACTUAL PROFILES ON WALL -  
Please go to 6000 block Kingsway, Burnaby  
( Wendy's Drive in Parking Lot )



**LMC Manufacturing Ltd**

6962 Buller Ave, Burnaby, BC V5J 4S3  
Tel: 604-430-3233 Fax: 604-430-2028

Website: [www.lammetal.ca](http://www.lammetal.ca)

A15

**NEW**