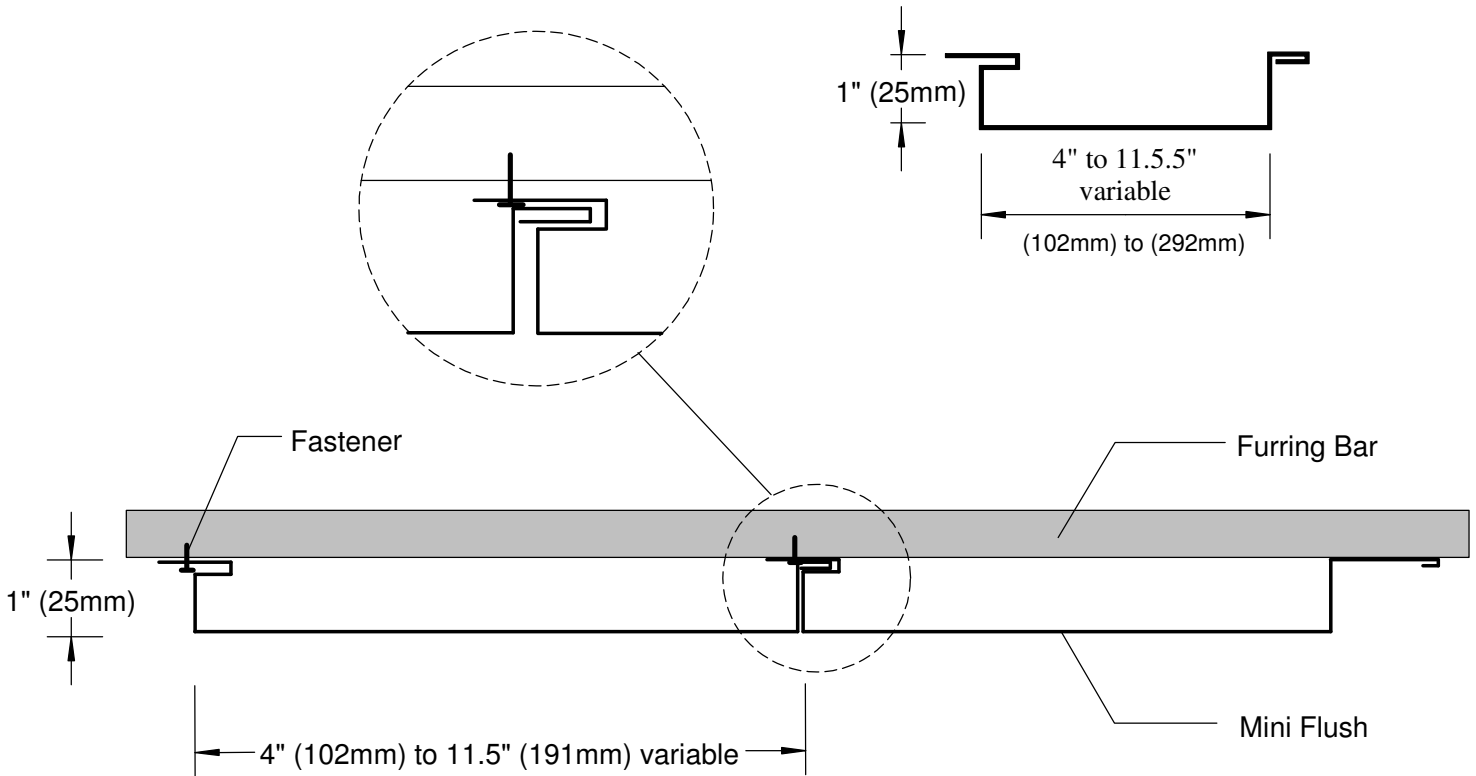
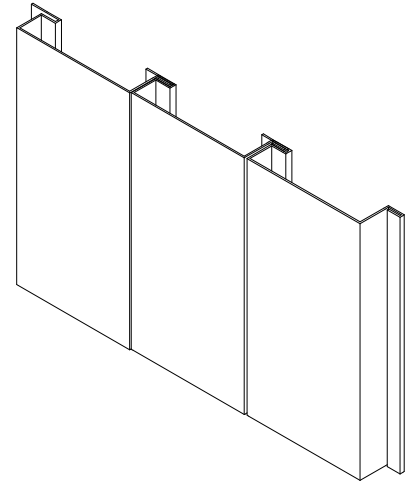


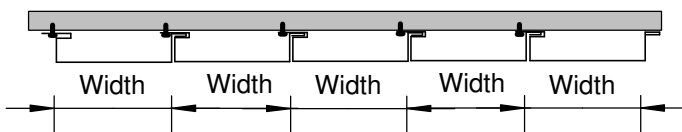
Lam's Mini Flush is a variant of the Mini Plank without a reveal. It is a flushed small wall and soffit panel, most suitable for finer detailed jobs. With the face size as small as 4" (102mm) wide by 1" (25mm) deep, it is a perfect alternative to cedar siding - more colour selections with less maintenance.

- ▶ variable 4" (102mm) to 11.5" (292mm) width. Standard widths are 7.5" (191mm) and 11.5" (292mm)
- ▶ Roll formed to custom length in 24ga and 22ga Steel.
- ▶ Available in Pre-painted Steel, Galvalume, Galvanized, Aluminum (.032"), Copper (16oz), and Rheinzink (.8mm).
- ▶ Most cost efficient sizes 7.5" (191mm) and 11.5" (292mm) width.



Options:

Mini Flush 4" to 11.5" Flushed



LMC Manufacturing Ltd

6962 Buller Ave, Burnaby, BC V5J 4S3
Tel: 604-430-3233 Fax: 604-430-2028

Website: www.lammetal.ca