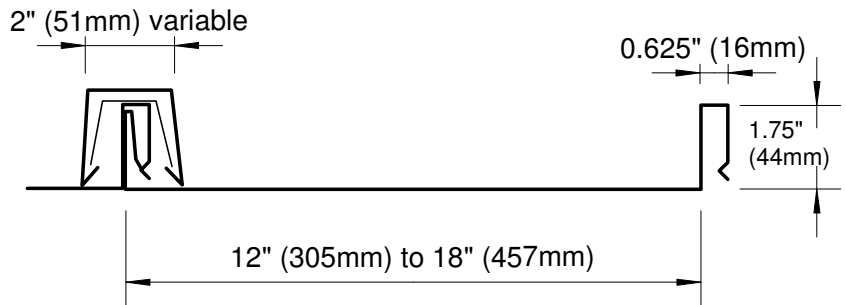
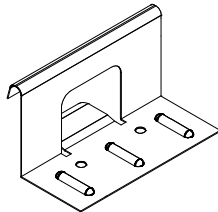
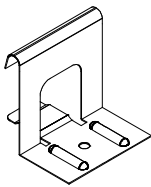
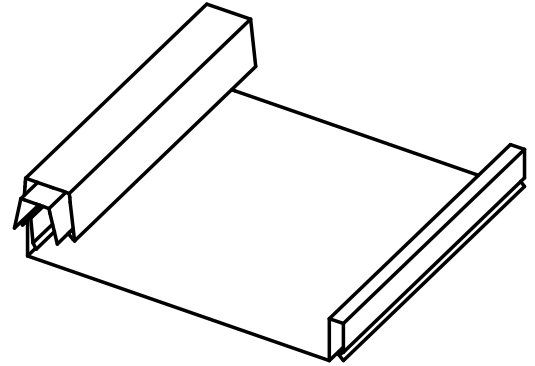


1 3/4" BATTEN NU-TECH

· ROOF · WALL

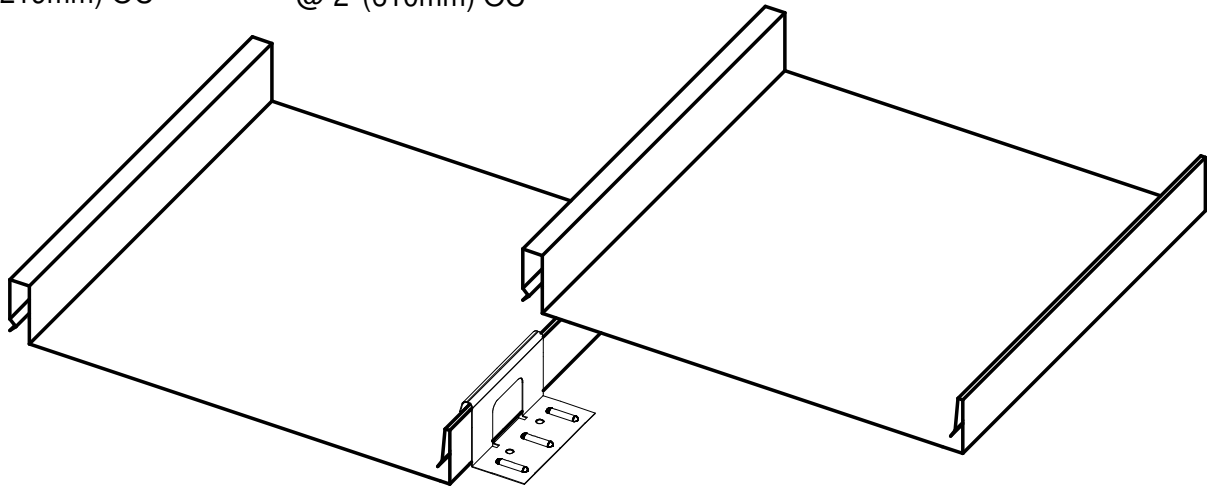
1 3/4" Batten Nu-Tech is a concealed snap-on roof panel excellent for installation over solid substrates with vapour barrier (asphalt saturated felt or peel & stick) or over open purlins. It is the same as our 1 3/4" Nu-Tech, but with battens for a distinguish designer look.

- ▶ Standard width of 12" (305mm) or 18" (457mm) or custom width from 12" (305mm) to 18" (457mm).
- ▶ Roll formed to custom length in 26ga, 24ga and 22ga.
- ▶ Available in Pre-painted Steel, Galvalume, Galvanized, Aluminum, Copper, and Rheinzink.
- ▶ Optional Double Stiffener or Striations for wide panels to reduce the appearance of oil canning.

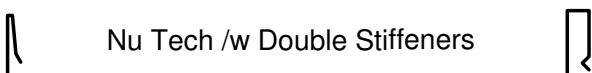


Nu Tech
2" (51mm) Standard clip
@ 4' (1219mm) OC

Nu Tech
3.5" (89mm) RCABC clip
@ 2' (610mm) OC



Options:



LMC Manufacturing Ltd

6962 Buller Ave, Burnaby, BC V5J 4S3
Tel: 604-430-3233 Fax: 604-430-2028

Website: www.lammetal.ca

A10