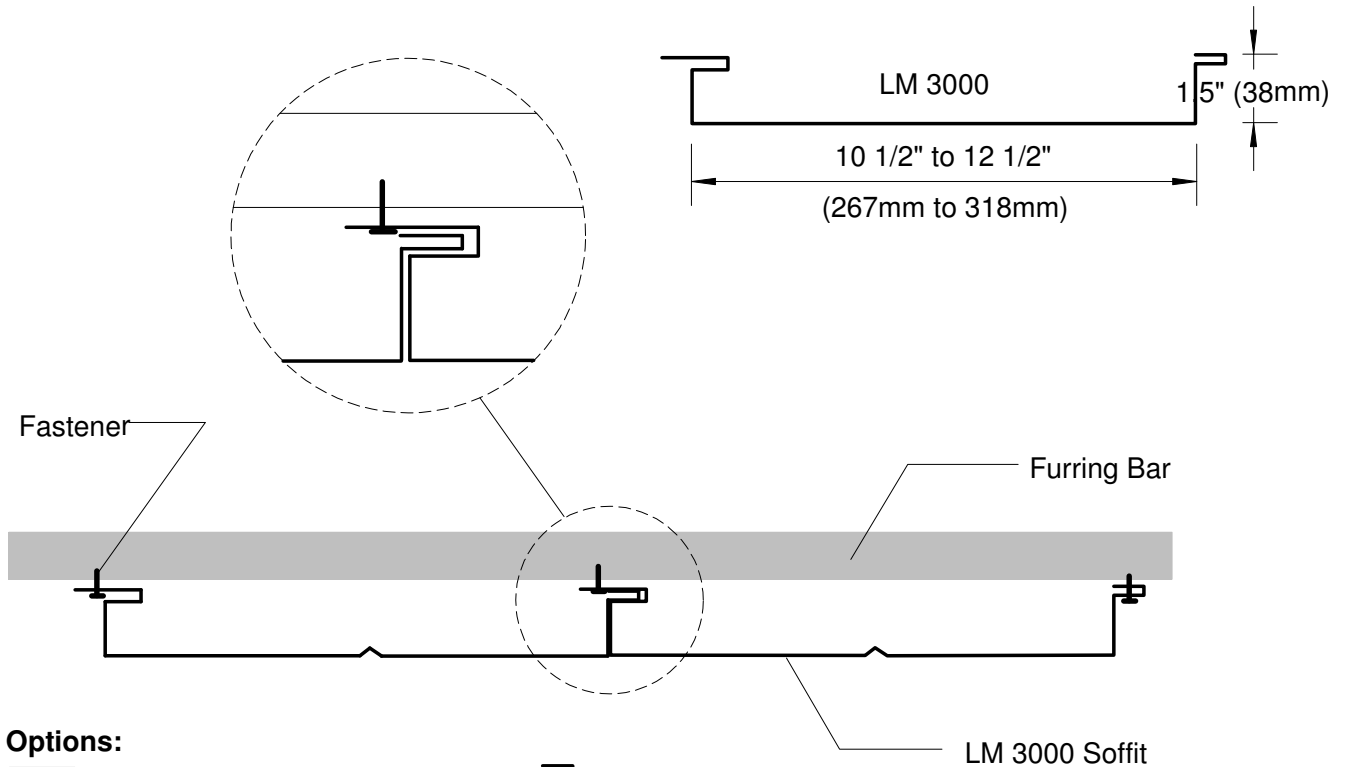
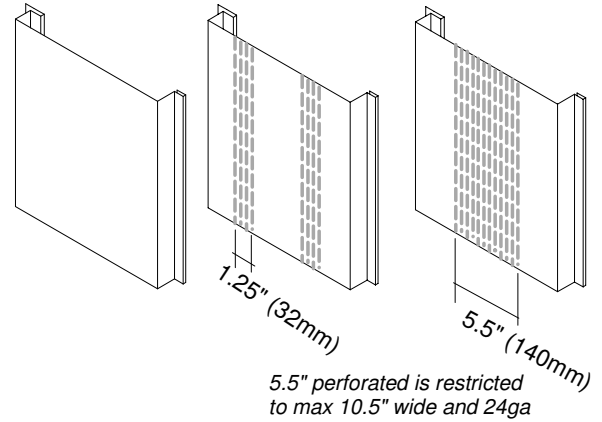


LM 3000 is a high performance wall panel and commercial soffit with a net coverage from 10.5" (267mm) to 12.5" (318mm) wide. If used for soffit, the panel can be formed with optional perforations.

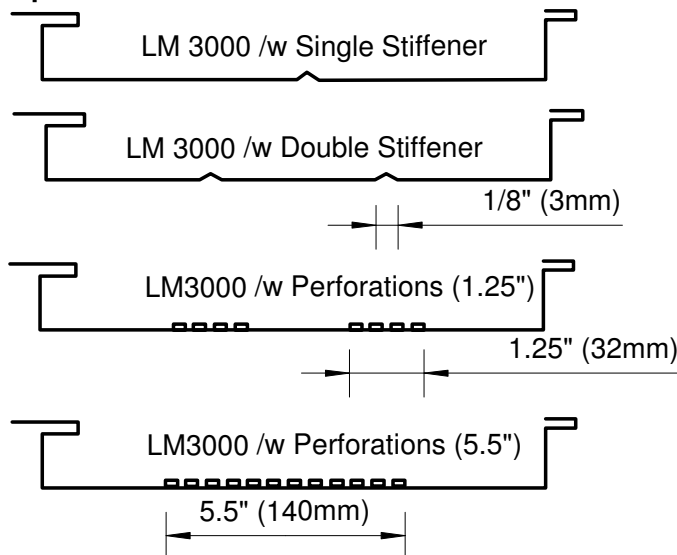
- ▶ Standard width of 10.5" (267mm) or 12.5" (318mm) or custom width from 10.5" (267mm) to 12.5" (318mm).
- ▶ Roll formed to custom length in 24ga and 22ga.
- ▶ Available in Pre-painted Steel, Galvalume, Galvanized, Aluminum, Copper, and Rheinzink.
- ▶ Optional Single Stiffener, Double Stiffener or Perforations.

Non-perforated  
(for wall or soffit)

Perforated  
(for soffit only)



**Options:**



**LMC Manufacturing Ltd**

6962 Buller Ave, Burnaby, BC V5J 4S3  
Tel: 604-430-3233 Fax: 604-430-2028

Website: [www.lammetal.ca](http://www.lammetal.ca)